

# *Digiheat* **TITANIUM**

High performance electric heaters



**NN**  
TITANIUM

**WATERCO**  
water, the liquid of life  
[www.waterco.com](http://www.waterco.com)



# Digiheat TITANIUM

Recline and relax in your spa knowing the Digiheat Titanium electric spa heater incorporates the latest technology, advanced composite materials and inbuilt safety devices.

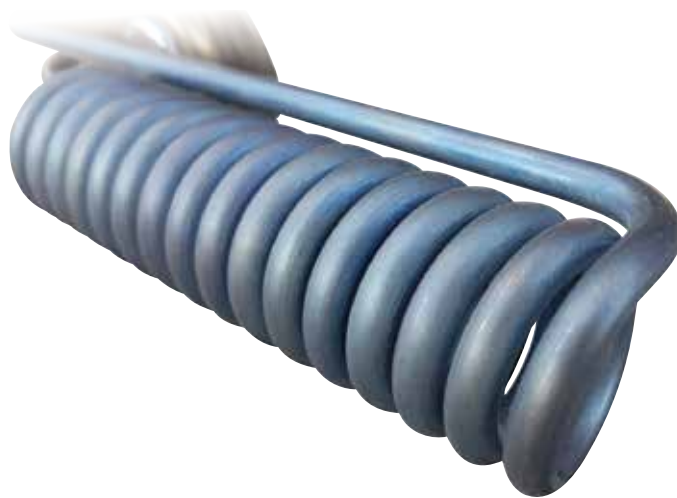
The desired water temperature is easy to set and current water temperature is shown in the LED display. In the event of an operating issue, the control panel will display diagnostic error codes.

Digiheat Titanium spa heaters are available in various heating capacities to suit different spa sizes and may be installed on the wall or along pipe work.

## **Titanium heating elements**

Digiheat Titanium models are fitted with a titanium coiled heating element, which is impervious to:

- ozone
- iodine
- baquacil
- sea water
- salt and chlorinated spa water



## Single Phase



Available in single phase sizes 2.4, 3.6, 4.8, 6.0 kW

**The Digiheat Titanium inline spa heaters are an ideal solution for heating:**



Swim spas and spas



Plunge pools



**SMART CONTROLS** for temperature management and self diagnosis



**INBUILT SAFETY DEVICES** for water flow and over temperature cutout



**POWERFUL HEAT TRANSFER** through the coiled element, maximising water contact

## Three Phase



Available in three phase sizes 18.0 & 24 kW

**Digiheat Titanium heaters provide high performance heating in a compact, versatile design.**



**Titanium coiled heating element** is impervious to ozone, iodine, baquacil, salt and chlorinated water



**WEATHERPROOF CABINET** for outdoor installation



**Warranty** - Residential - 2 years  
**Warranty** - Commercial - 1 year  
Conditions apply, see the Waterco Limited warranty set out in the Waterco Warranty Booklet or view it at [www.waterco.com](http://www.waterco.com)



## Specifications

Product Code	DigiHeat Model	Volts	Current Draw	Minimum Circuit Size	Connection Size	Minimum Flow Rate
2810240	2.4 kW	240 Volts (single phase)	10 A	15 A	40mm	100 litres / minute
2810360	3.6 kW	240 Volts (single phase)	15 A	20 A	40mm	100 litres / minute
2810480	4.8 kW	240 Volts (single phase)	20 A	25 A	40mm	100 litres / minute
2810600	6.0 kW	240 Volts (single phase)	25 A	30 A	40mm	100 litres / minute
2811830	18.0 kW	415 Volts (three phase)	25 A / ph	30 A	50mm	250 litres / minute
2812430	24.0 kW	415 Volts (three phase)	35 A / ph	40 A	50mm	250 litres / minute

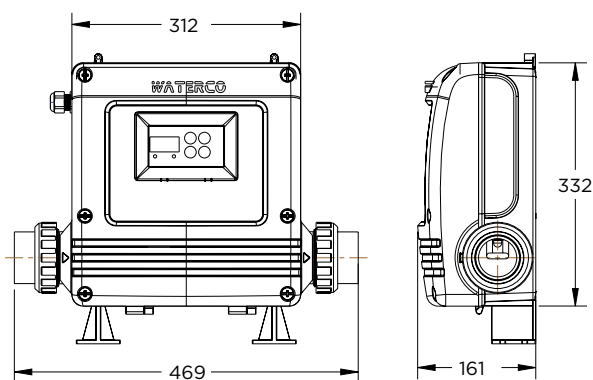
Complies with EN60335.260 and AS3136/NZS6232

Model kW	Time required to heat 1000 litres by 1 deg C in minutes:	Time required to heat 1000 litres by 5 deg C in minutes:
2.4kW	31	155
3.6kW	22	103
4.8kW	15	77
6kW	9	46
18kW	4	20
24kW	3	15

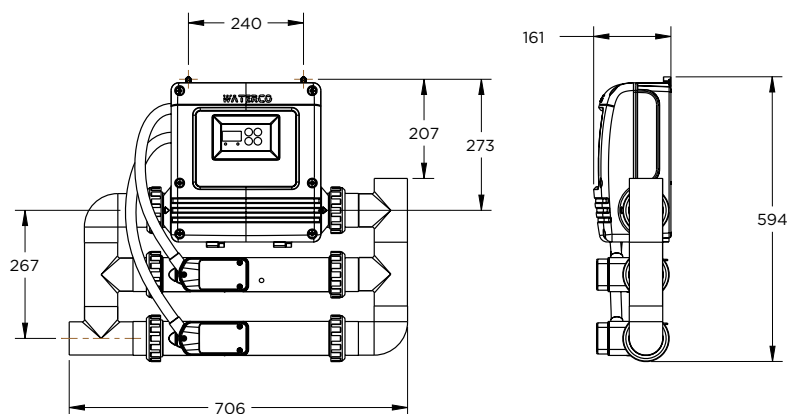
\*The above is a only a guide and is dependent upon other factors such as heat loss and ambient conditions at the time of operation.

## Dimensions

### Single phase model



### Three phase model



**OFFICES - AUSTRALIA**

**NSW - Sydney (Head Office)**

Tel: +61 2 9898 8600

**QLD - Brisbane**

Tel: +61 7 3299 9900

**VIC/TAS - Melbourne**

Tel: +61 3 9764 1211

**WA - Perth**

Tel: +61 8 9273 1900

**SA/NT - Adelaide**

Tel: +61 8 8244 6000

**ACT Distribution**

Tel: +61 2 6280 6476

**OFFICES - OVERSEAS**

**Waterco (Europe) Limited**

Sittingbourne, Kent, UK

Tel: +44 (0) 1795 521 733

**Waterco (USA) Inc**

Augusta, Georgia, USA

Tel: +1 706 793 7291

**Waterco Canada**

Boucherville, Qc, Canada

Tel: +1 450 748 1421

**Waterco (NZ) Limited**

Auckland, New Zealand

Tel: +64 9 525 7570

**Waterco (C) Limited**

Guangzhou, China

Tel: +86 20 3222 2180

**PT Waterco Indonesia**

Jakarta, Indonesia

Tel: +62 21 4585 1481

**Waterco Singapore Intl Pte Ltd**

Nehsons Building, Singapore

Tel: +65 6344 2378

**Waterco (Far East) Sdn Bhd**

Selangor, Malaysia

Tel: +60 3 6145 6000

Distributed by:



In the interest of providing better quality and value we are constantly improving and updating our products. Consequently, pictures and information on our brochures may sometimes vary slightly from models available.